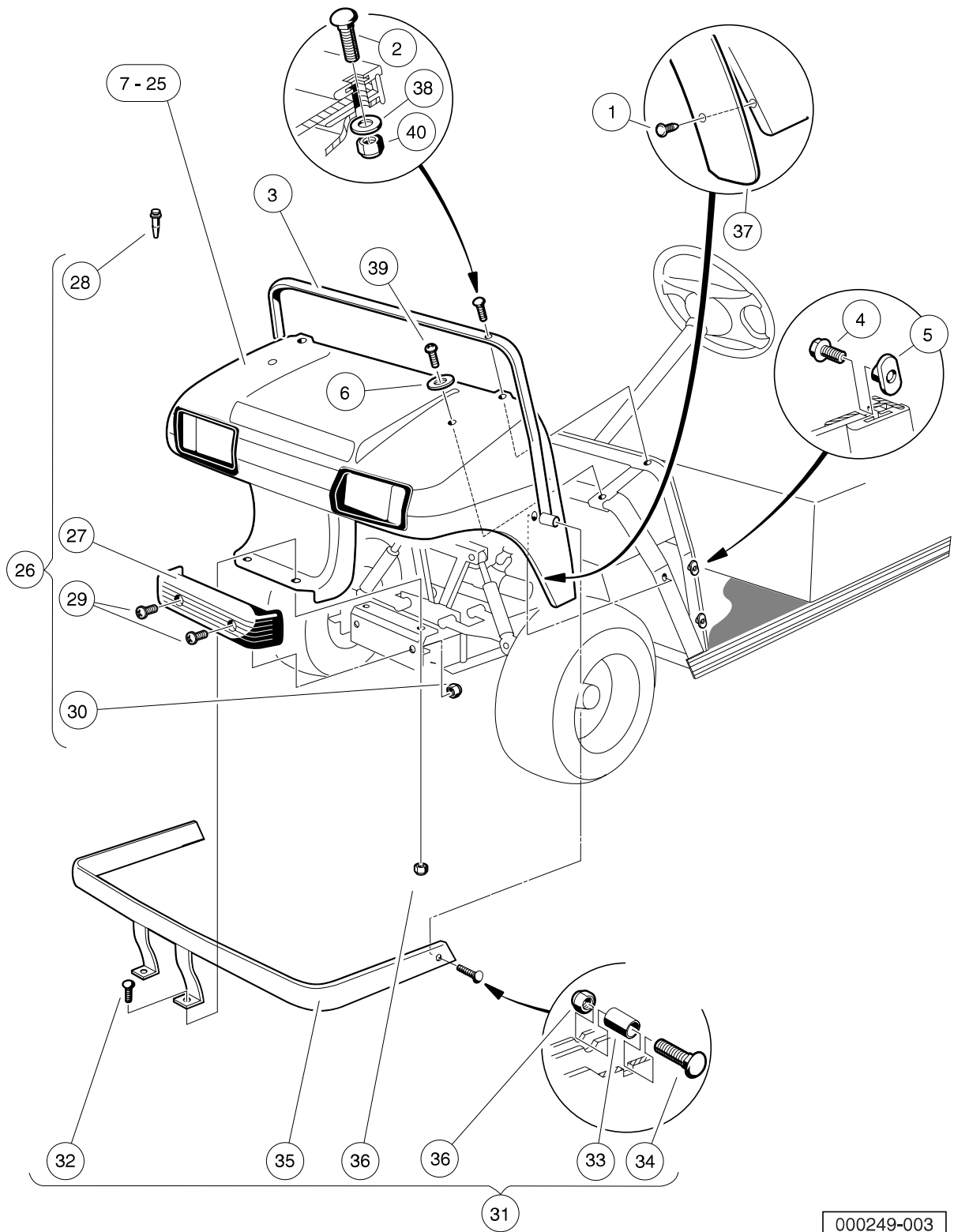


**1**  
**G**  
**E**



000249-003

## FRONT BODY AND TRIM – TURF/CARRYALL 2, 2 PLUS, AND 6

ITEM	PART NO.	DESCRIPTION	QTY
		1 2 3 4	
1	1010434	Barrel - Plastic .....	12
2	1010435	Bolt, Carriage, 5/16-18 X 1.00 .....	2
3	1011014	Trim, Cowl .....	1
4	1011017	Screw, #8-32 X 0.375 .....	6
5	1011394	T-Nut Package (Set of 4) .....	1
6	1015075	Washer, 5/16 Flat Type A .....	2
7	101692501	Cowl, TPO, Beige .....	1
8	101692502	Cowl, TPO, White .....	1
9	101692506	Cowl, TPO, Red .....	1
10	101692509	Cowl, TPO, Pacific Blue (Royal Blue) .....	1
11	101692510	Cowl, TPO, Dark Green .....	1
12	101692511	Cowl, TPO, Black .....	1
13	101692512	Cowl, TPO, Classic Blue (Navy) .....	1
14	101692513	Cowl, TPO, Burgundy .....	1
15	101692514	Cowl, TPO, Dark Gray .....	1
16	101692515	Cowl, TPO, Safety Yellow .....	1
17	101693901	Cowl with Headlight Opening, TPO, Beige .....	1
18	101693902	Cowl with Headlight Opening, TPO, White .....	1
19	101693906	Cowl with Headlight Opening, TPO, Red .....	1
20	101693909	Cowl with Headlight Opening, TPO, Dark Green .....	1
21	101693910	Cowl with Headlight Opening, TPO, Black .....	1
22	101693911	Cowl with Headlight Opening, TPO, Classic Blue (Navy) .....	1
23	101693912	Cowl with Headlight Opening, TPO, Burgundy .....	1
24	101693913	Cowl with Headlight Opening, TPO, Dark Gray .....	1
25	101693914	Cowl with Headlight Opening, TPO, Safety Yellow .....	1
26	1017080	Kit, Front Bumper (includes items 27 through 30) .....	1
27	1016868	Front Bumper .....	1
28	1016967	Blind Rivet, Push Type .....	2
29	7251	Screw, 5/16-18 x 1.0 Truss-Head .....	2
30	7473	Locknut, 5/16-18 Nylon Insert .....	2
31	101734802	Kit, Heavy-Duty Bumper (includes items 32 through 36) .....	1
32	1010435	Bolt, Carriage, 5/16-18 X 1.00 .....	2
33	1010546	Spacer .....	2
34	1015405	Bolt, Carriage, 5/16-18 X 2.0 .....	2
35	N/A	Weldment, Heavy Duty Bumper .....	1
36	7473	Locknut, 5/16-18 Nylon Insert .....	4
37	101870401	Fender Extrusion .....	2
38	1241	Washer, 5/16 Type A Flat .....	2
39	7251	Screw, 5/16-18 x 1.0 Truss-Head .....	2
40	7473	Locknut, 5/16-18 Nylon Insert .....	2

**1**  
**G**  
**E**