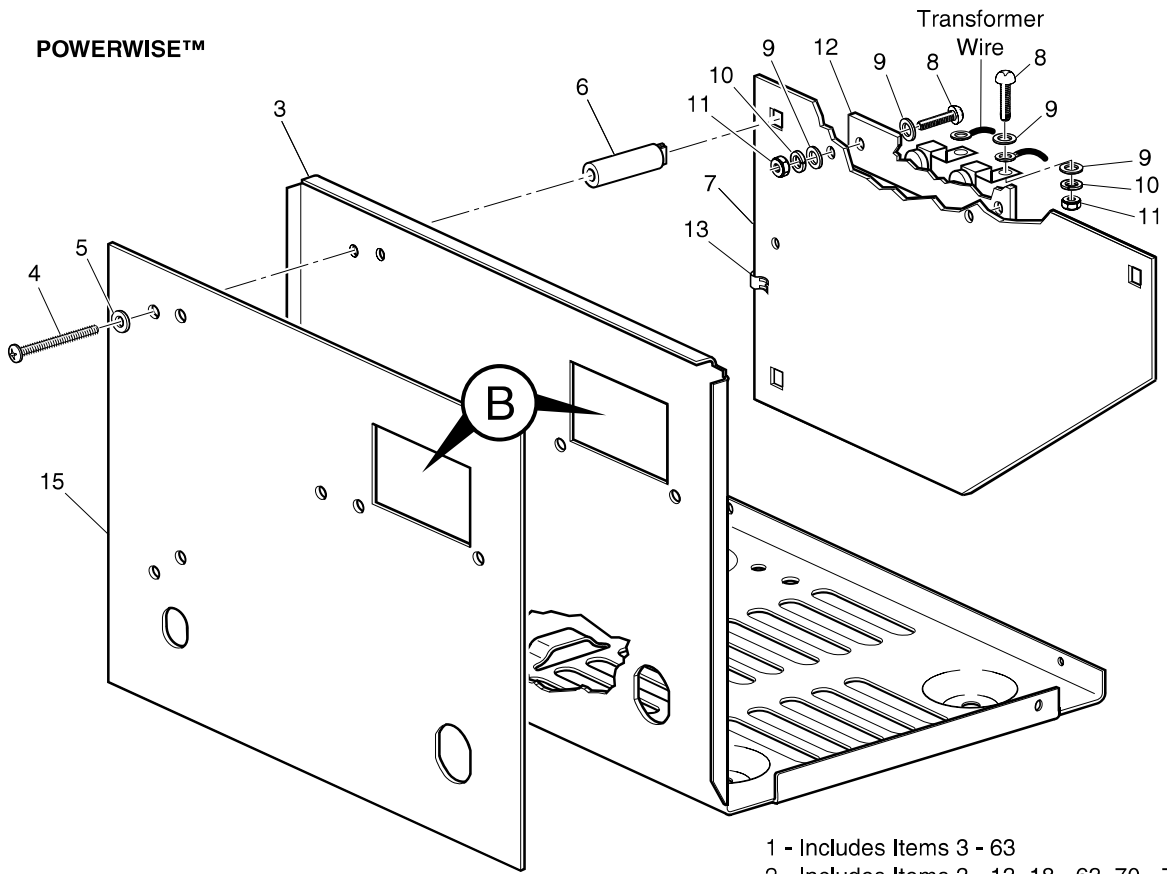


BATTERY CHARGER - PORTABLE 36 VOLT

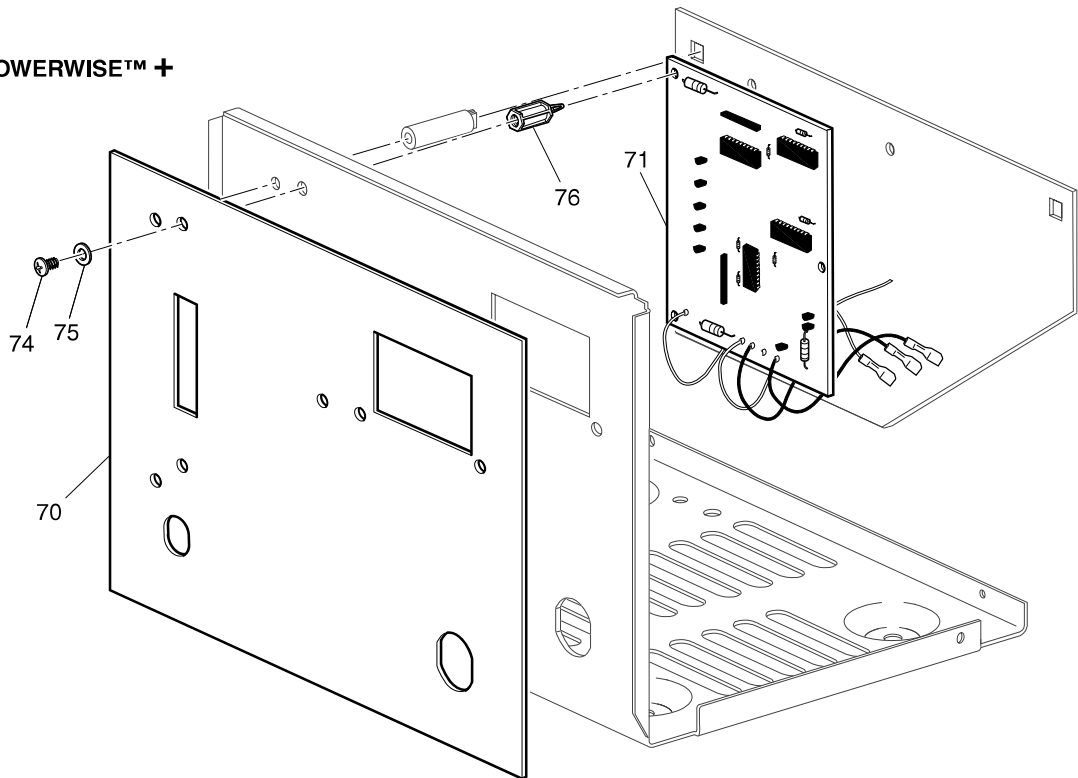
POWERWISE™



1 - Includes Items 3 - 63

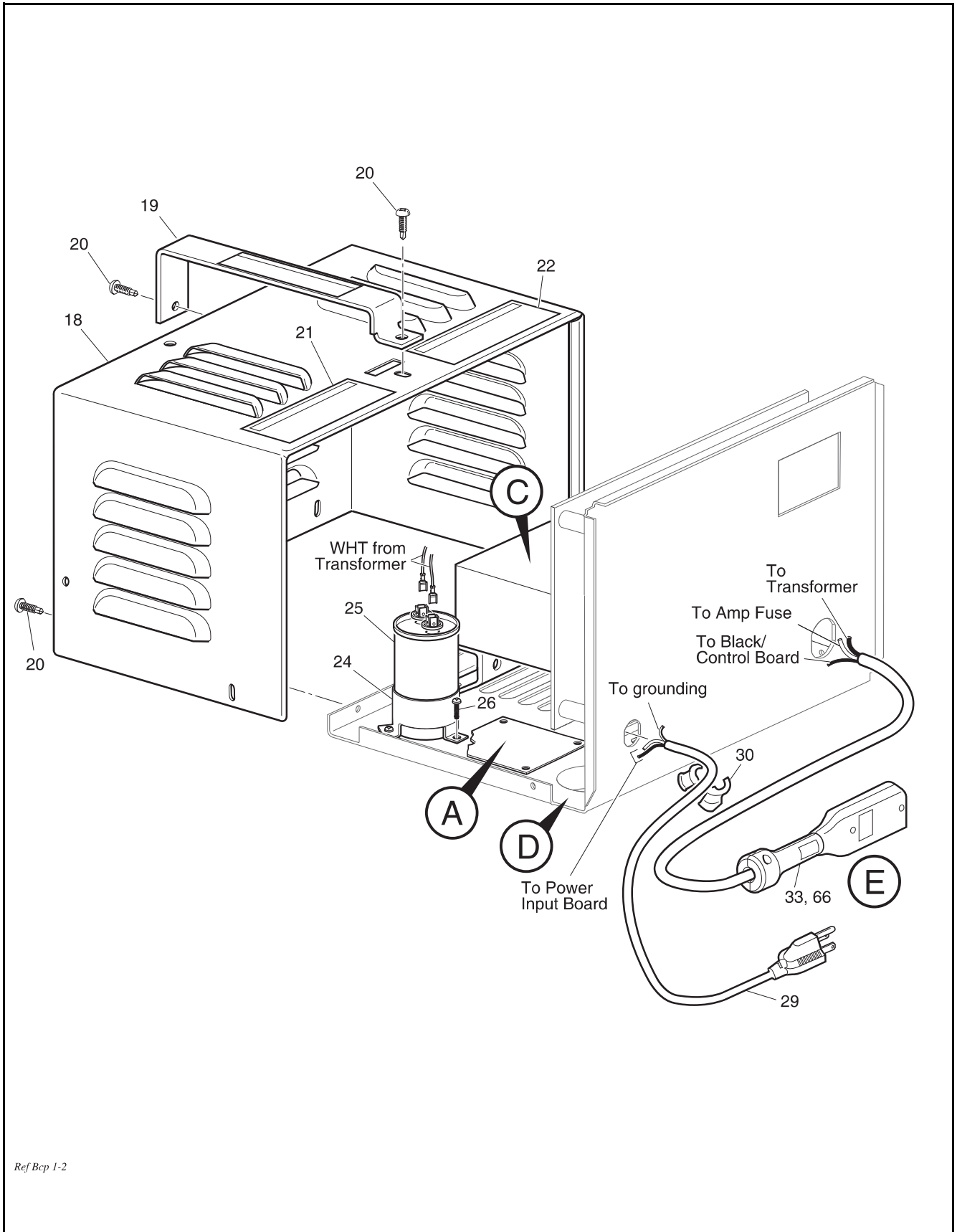
2 - Includes Items 3 - 13, 18 - 63, 70 - 76

POWERWISE™ +



Ref Bcp 1-1

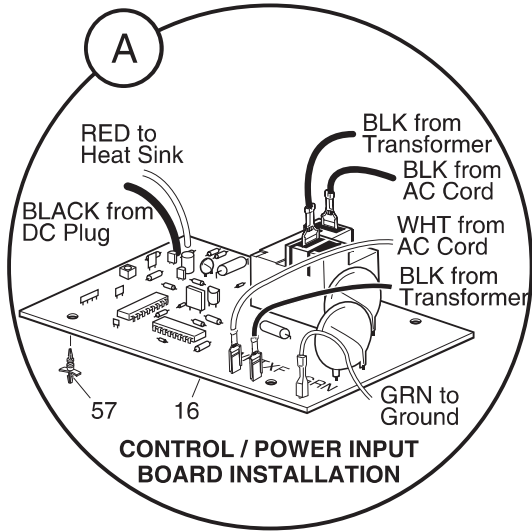
BATTERY CHARGER - PORTABLE 36 VOLT



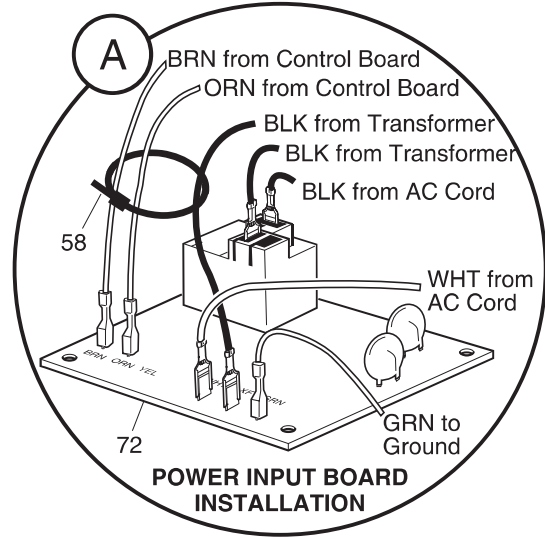
Ref Bcp 1-2

BATTERY CHARGER - PORTABLE 36 VOLT

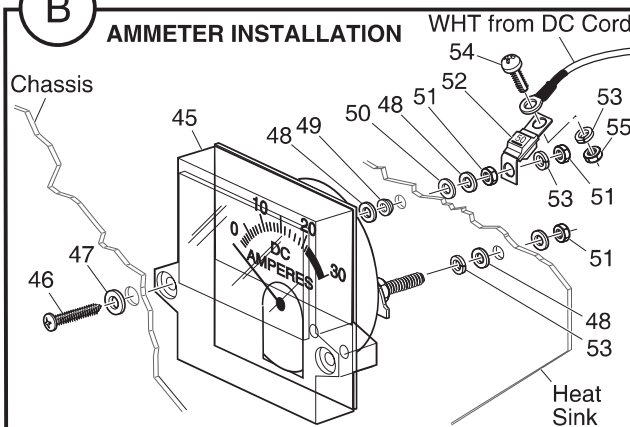
POWERWISE™



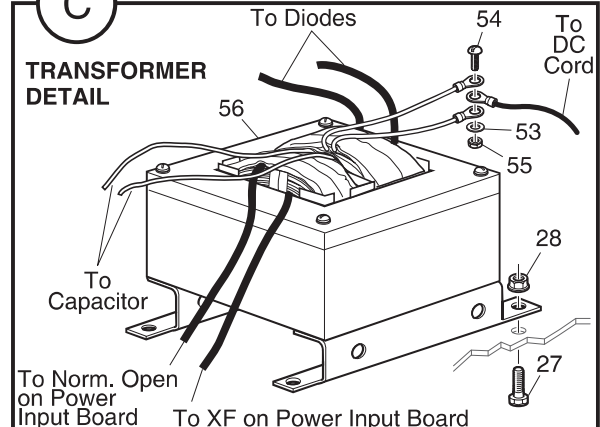
POWERWISE™ +



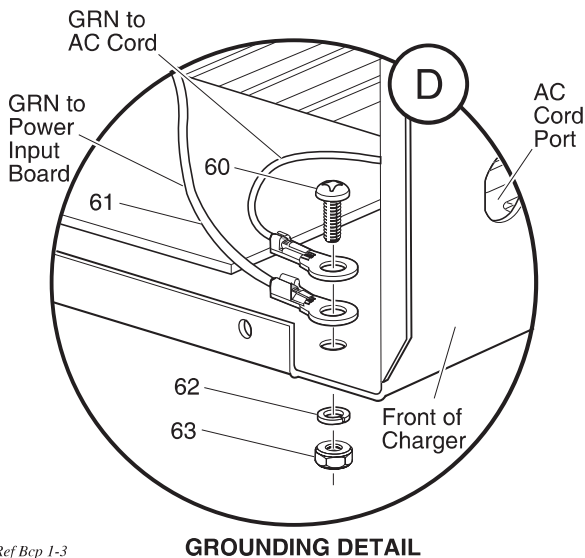
B



C

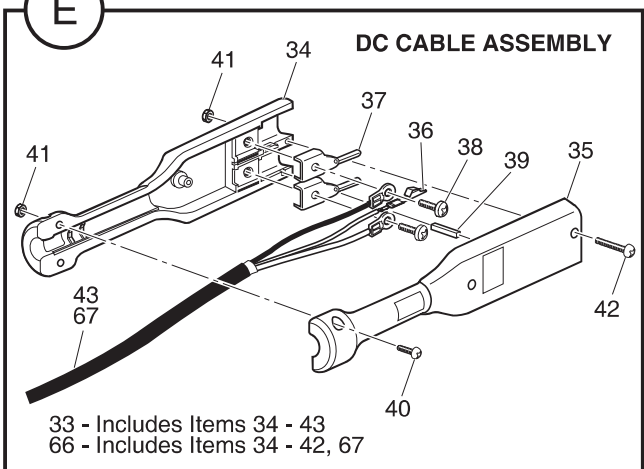


D

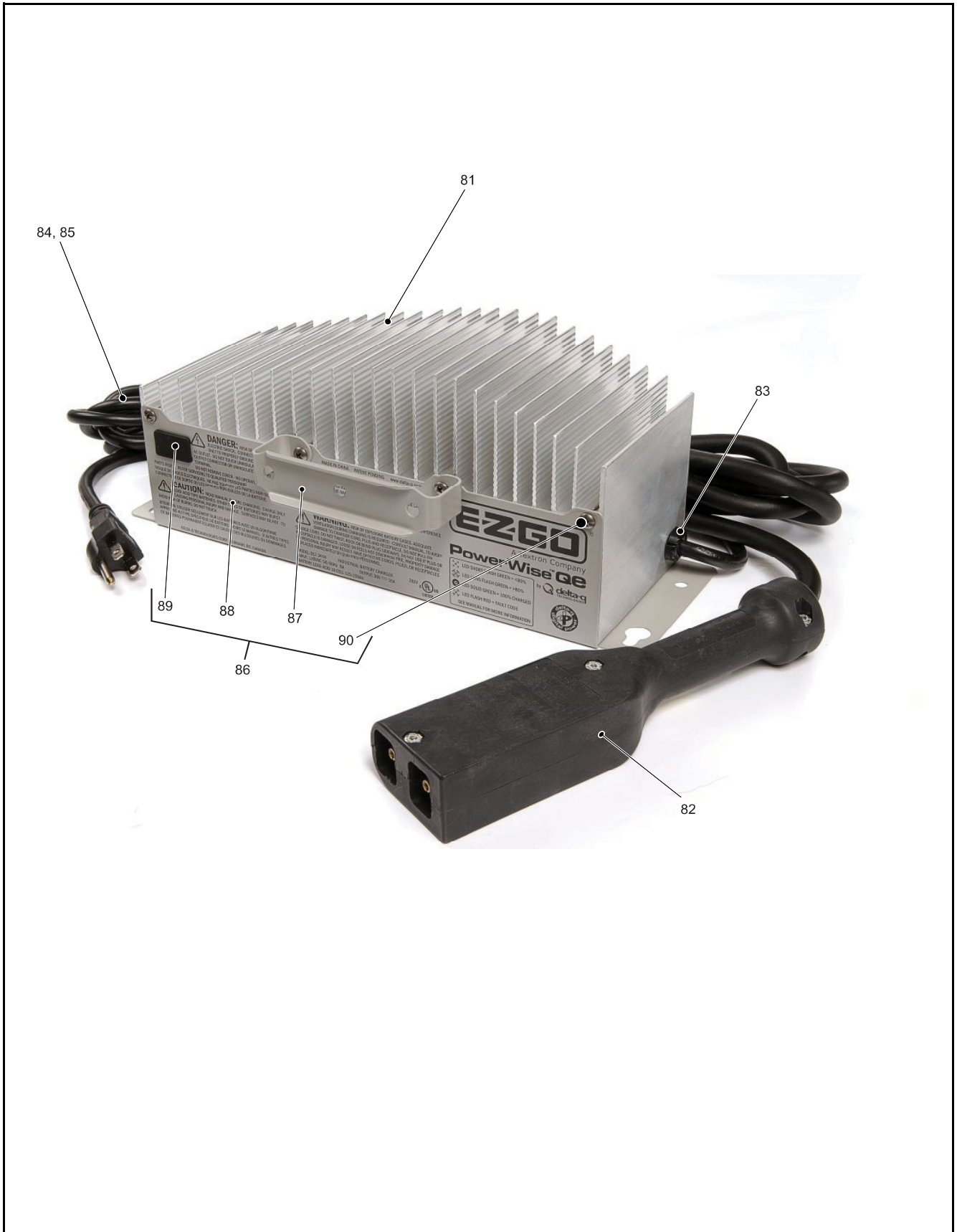


Ref Bcp 1-3

E



BATTERY CHARGER - PORTABLE 36 VOLT



BATTERY CHARGER - PORTABLE 36 VOLT

Where applicable, THE USE OF NON UL PARTS WILL VOID ANY UL LISTING.

When ordering parts, please specify the model and serial number of the product.

* Indicates a component that is not available as an individual part.

G** Indicates consult Customer Service Department for additional information.

ITEM	PART NO.	1	2	3	4	5	DESCRIPTION	QTY.
1	28115-G01						POWERWISE™ CHARGER (10' CORD) (INCLUDES ITEMS 3 - 63).....	1
2	28115-G02						POWERWISE™ + CHARGER (PORTABLE, 10' CORD) (INCLUDES ITEMS 3 - 13, 18 - 63, 70 - 76).....	1
3	*						CHASSIS	1
4	00513-G6						SCREW, #8 - 18 X 1 3/4" LG	2
5	00559-G4						WASHER, #8	2
6	11572-G3						EXPANSION NUT	2
7	28104-G01						HEAT SINK	1
8	00372-G4						SCREW, #8 - 32 X 1/2" LG	4
9	00559-G4						WASHER, #8	4
10	00565-G4						LOCK WASHER, #8.....	4
11	00526-G1						NUT, #8 - 32.....	4
12	28548-G01						DIODE.....	1
13	28110-G01						ELECTRICAL CLIP	1
14								
15	*						LABEL (POWERWISE™)	1
16	28667-G01						CONTROL / POWER INPUT BOARD	1
17								
18	*						COVER	1
19	28102-G01						HANDLE	1
20	00614-G4						SCREW, #8 - 18 X 1/2" LG	6
21	28136-G01						LABEL (VENTILATION).....	1
22	28136-G02						LABEL (CORD CONDITION).....	1
23								
24	26979-G01						CAPACITOR BRACKET	1
25	28109-G01						CAPACITOR	1
26	00969-G01						SCREW, #8 - 32 X 3/8" LG	3
27	00414-G5						BOLT, 1/4 - 20 X 5/8" LG.....	3
28	11027-G2						LOCK NUT, 1/4 - 20.....	3
29	19388-G4						AC CORD	1

BATTERY CHARGER - PORTABLE 36 VOLT

Where applicable, THE USE OF NON UL PARTS WILL VOID ANY UL LISTING.

When ordering parts, please specify the model and serial number of the product.

* Indicates a component that is not available as an individual part.

G** Indicates consult Customer Service Department for additional information.

ITEM	PART NO.	1	2	3	4	5	DESCRIPTION	QTY.
30	13557-G2						STRAIN RELIEF (AC).....	1
31								
32								
33	73345-G01						DC CORD AND HANDLE ASSEMBLY (INCLUDES ITEMS 34 - 43)	1
34	73051-G11						PLUG (TOP HALF).....	1
35	73051-G12						PLUG (BOTTOM HALF).....	1
36	73051-G27						AUXILIARY CONTACT.....	1
37	73051-G14						MALE PIN.....	2
38	73051-G08						SCREW, #10 - 32 X 1/2" LG (BRASS)	2
39	73051-G15						MAGNET	1
40	73051-G16						SCREW, #6 - 32 X 1/2" LG (STAINLESS STEEL)	2
41	73051-G10						LOCK NUT, #6 - 32.....	4
42	73051-G17						SCREW, #6 - 32 X 1" LG (STAINLESS STEEL)	2
43	73344-G01						DC CORD, 10' LG	1
44								
45	28105-G01						AMMETER	1
46	01051-G01						SCREW, #8 - 16 X 1/2" LG	2
47	00559-G4						WASHER, #8	2
48	01003-G01						WASHER, #10 (BRASS).....	4
49	22589-G2						SHOULDER WASHER, #10	1
50	00771-G6						NYLON WASHER, 3/8"	1
51	00528-G4						NUT, #10 - 32 (BRASS)	3
52	28106-G01						50 AMP FUSE.....	1
53	00565-G5						LOCK WASHER, #10.....	4
54	00378-G4						SCREW, #10 - 24 X 1/2" LG	2
55	00526-G3						NUT, #10 - 24.....	2
56	28103-G01						TRANSFORMER	1
57	27877-G01						SPACER SUPPORT	4
58	17618-G1						WIRE TIE	2
59								

BATTERY CHARGER - PORTABLE 36 VOLT

Where applicable, THE USE OF NON UL PARTS WILL VOID ANY UL LISTING.

When ordering parts, please specify the model and serial number of the product.

* Indicates a component that is not available as an individual part.

G** Indicates consult Customer Service Department for additional information.

ITEM	PART NO.	1	2	3	4	5	DESCRIPTION	QTY.
60	00372-G3						SCREW, #8 - 32 X 3/8" LG.....	1
61	25977-G32						16 GA WIRE (GREEN 4").....	1
62	00565-G4						LOCK WASHER, #8	1
63	00526-G1						NUT, #8 - 32.....	1
64								
65	28115-G07						POWERWISE™ CHARGER (PORTABLE, 18' CORD) (INCLUDES ITEMS 3 - 31, 45 - 63, 66, 67).....	1
66	73345-G03						DC CORD AND HANDLE ASSEMBLY (INCLUDES ITEMS 34 - 42, 67)....	1
67	73344-G03						DC CORD, 18' LG	1
68								
69	28115-G08						POWERWISE™ + CHARGER (PORTABLE, 18' CORD) (INCLUDES ITEMS 3 - 13, 18 - 31, 45 - 63, 66, 67, 70 - 76)	1
70	*						LABEL (POWERWISE™ +)	1
71	28667-G02						CONTROL BOARD	1
72	28667-G03						POWER INPUT BOARD.....	1
73								
74	01005-G01						SCREW, #TEFLON-PLT-30-ZP #6-20 X 5/16"	3
75	00559-G3						WASHER, #6	3
76	28111-G01						SUPPORT SPACER.....	3
77								
78								
79								
80								
81	611119						POWERWISE QE BATTERY CHARGER, 36 VOLT, W/3 METER CORD.....	1
82	611213						3 METER CORD, 36 VOLT (INCLUDES STRAIN RELIEF).....	1
83	611937						DC STRAIN RELIEF SERVICE KIT (INCLUDES 5 STRAIN RELIEFS)	1
84	611212						AC CORD (INCLUDES STRAIN RELIEF)	1
85	611936						AC STRAIN RELIEF SERVICE KIT (INCLUDES 5 STRAIN RELIEFS)	1
86	611215						HANDLE AND COVER SERVICE KIT (INCLUDES ITEMS 87 - 90)	1
87	611216						HANDLE	1

BATTERY CHARGER - PORTABLE 36 VOLT

Where applicable, THE USE OF NON UL PARTS WILL VOID ANY UL LISTING.
 When ordering parts, please specify the model and serial number of the product.
 * Indicates a component that is not available as an individual part.
 G** Indicates consult Customer Service Department for additional information.

ITEM	PART NO.	1	2	3	4	5	DESCRIPTION	QTY.
88	*						COVER.....	1
89	*						RUBBER PLUG.....	1
90	*						SCREWS.....	1