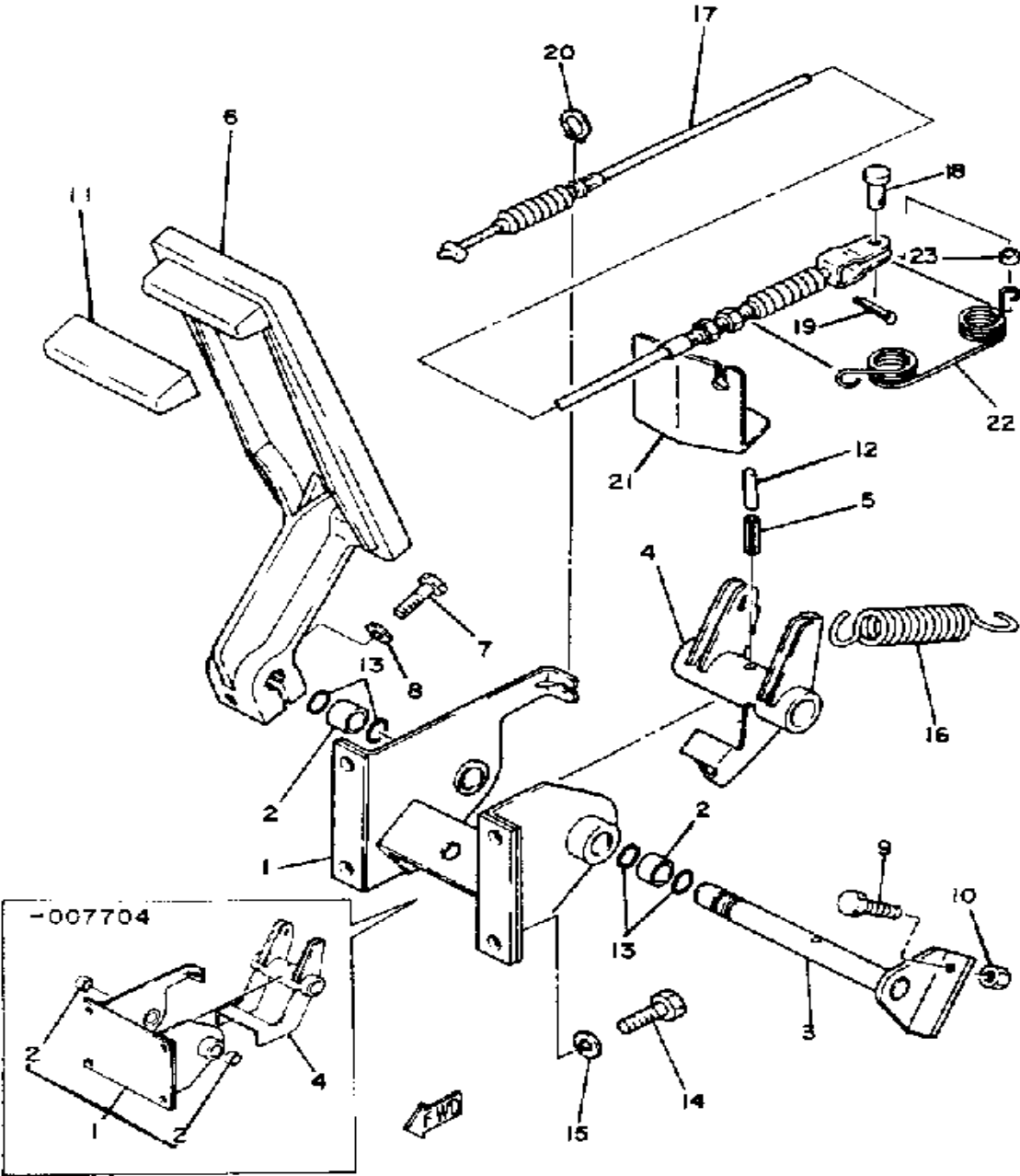


ACCELERATOR



Ref. No.	Part Number	Description	Qty	Remarks
1	J10-27870-00-00	BRKT, ACCLTR PEDALBRACKET COMP	1	
	J10-27874-01-00	BRKT, ACCLTR PEDAL	1	705~
2	90384-14079-00	. BUSH, BIMETAL FORM	2	
	90384-14080-00	BUSH, BIMETAL	2	705~
3	J10-27853-02-00	SHAFT, PEDAL 1	1	
4	J10-27872-00-00	ARM, ACCLTR PEDAL	1	
	J17-27872-00-00	ARM, ACCLTR PEDAL	1	705~
5	91609-60025-00	PIN, SPRING	1	
6	JF3-27871-00-00	PEDAL, ACCELERATOR	1	
7	97011-06025-00	BOLT (97001-06025)	1	
8	92995-06100-00	WASHER, SPRING	1	
9	90106-06042-00	BOLT, DOME HEAD (90101-06422)	1	
10	95380-06700-00	NUT	1	
11	J10-27852-00-00	CUP 1	1	
12	91609-35028-00	PIN, SPRING	1	
13	93210-14104-00	O-RING	4	705~
14	97301-06014-00	BOLT, HEXAGON	4	
15	92995-06100-00	WASHER, SPRING	4	
16	90506-29187-00	SPRING, TENSION	1	
17	J17-26311-00-00	CABLE, THROTTLE 1	1	
18	91701-05010-00	PIN, CYLINDER. HEAD	1	
	91702-05012-00	PIN	1	766~
19	91490-16020-00	. PIN, COTTER	1	
20	99080-07600-00	CIRCLIP (E)	1	
21	J10-27981-00-00	BRACKET, THROTTLE	1	
22	90508-16460-00	SPRING, TORSION	1	766~
23	90560-05001-00	SPACER	1	766~

