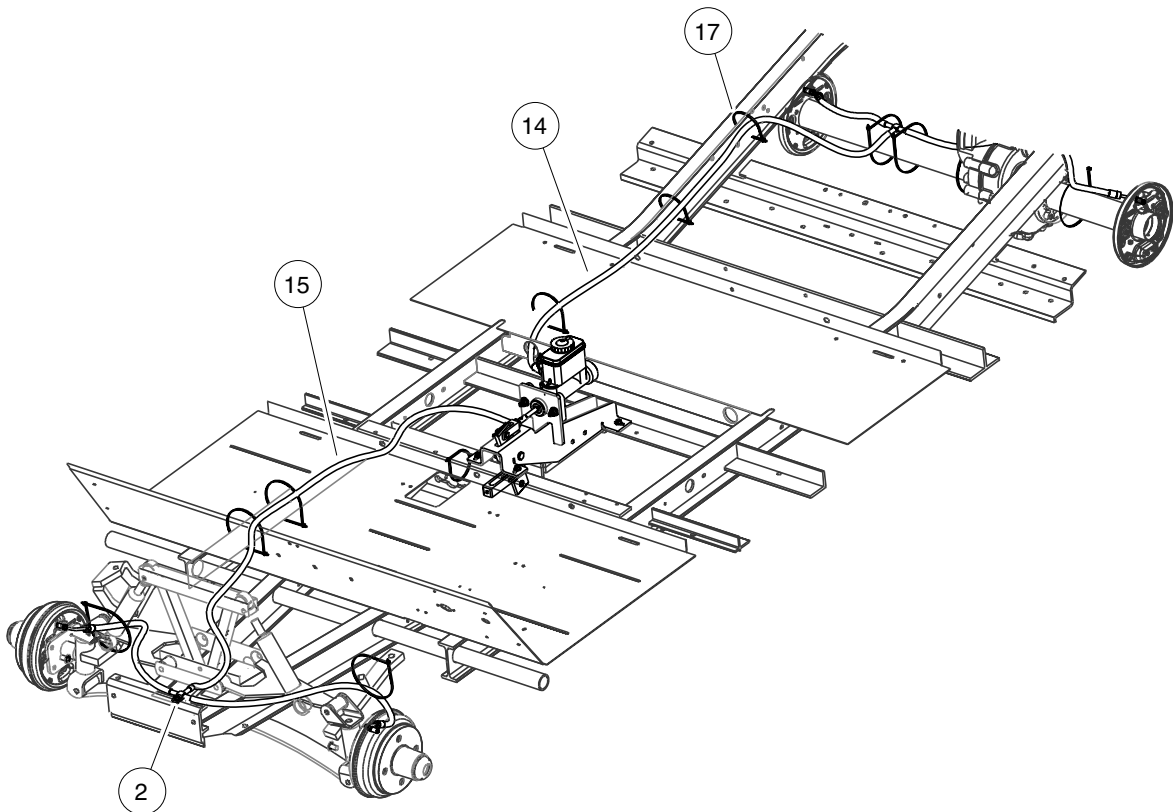
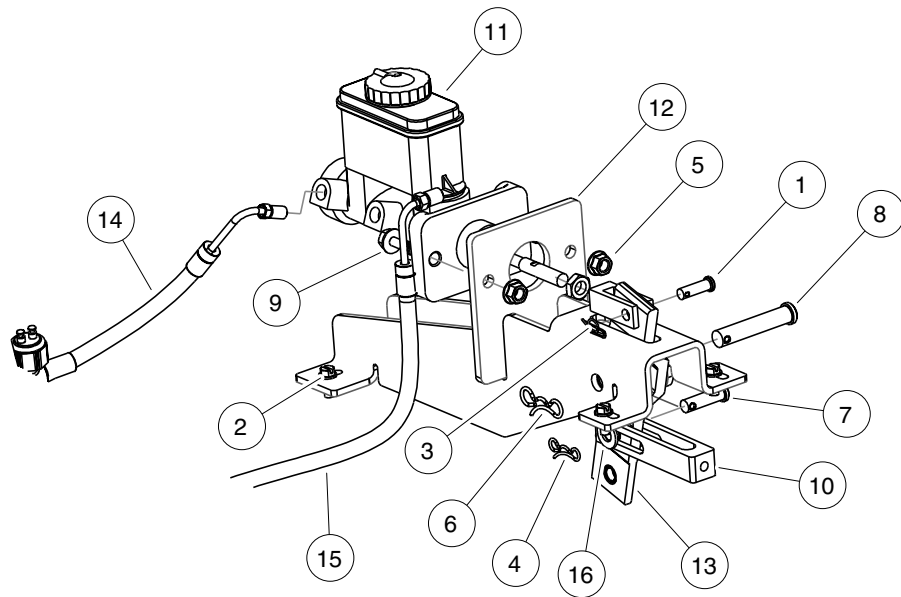


4

E



000856-003

# MASTER CYLINDER AND BELL CRANK – CA 6 HOMOLOGATED LSV

ITEM	PART NO.	DESCRIPTION	QTY
		1 2 3 4	
1	101082903	Clevis Pin, 5/16 X 1 .....	1
2	1012285	Screw, 1/4 X 0.625 Hex-Head .....	1
3	102176901	Pin, Rue .....	2
4	102292801	Pin, Bow Tie Locking - .072 .....	1
5	102298401	Nut,m8,all Metal Lock .....	2
6	102323101	Pin, Bow Tie Locking .....	1
7	102323201	Pin, 3/8 X 1-5/16 Clevis .....	1
8	102519001	Pin, 1/2 X 2-1/2 Clevis .....	1
9	102618401	Bolt Flanged Head, M8 X 1.25 X 35 .....	2
10	102976701	Clevis, Bellcrank, Autobrake .....	1
11	103376101	Cylinder, Master, Integral Res .....	1
12	103635801	Brkt, Service Brake, 4pass .....	1
13	103665001	Asm, Pivot Lever .....	1
14	103676801	Asm, Brakeline, Rear, 4pass .....	1
15	103824901	Asm, Brakeline, Frt, Flare End .....	1
16	334	Washer, 3/8 Type A Flat .....	1
17	8990	Tie Wrap, 8" Nylon .....	12

**4**

**E**